


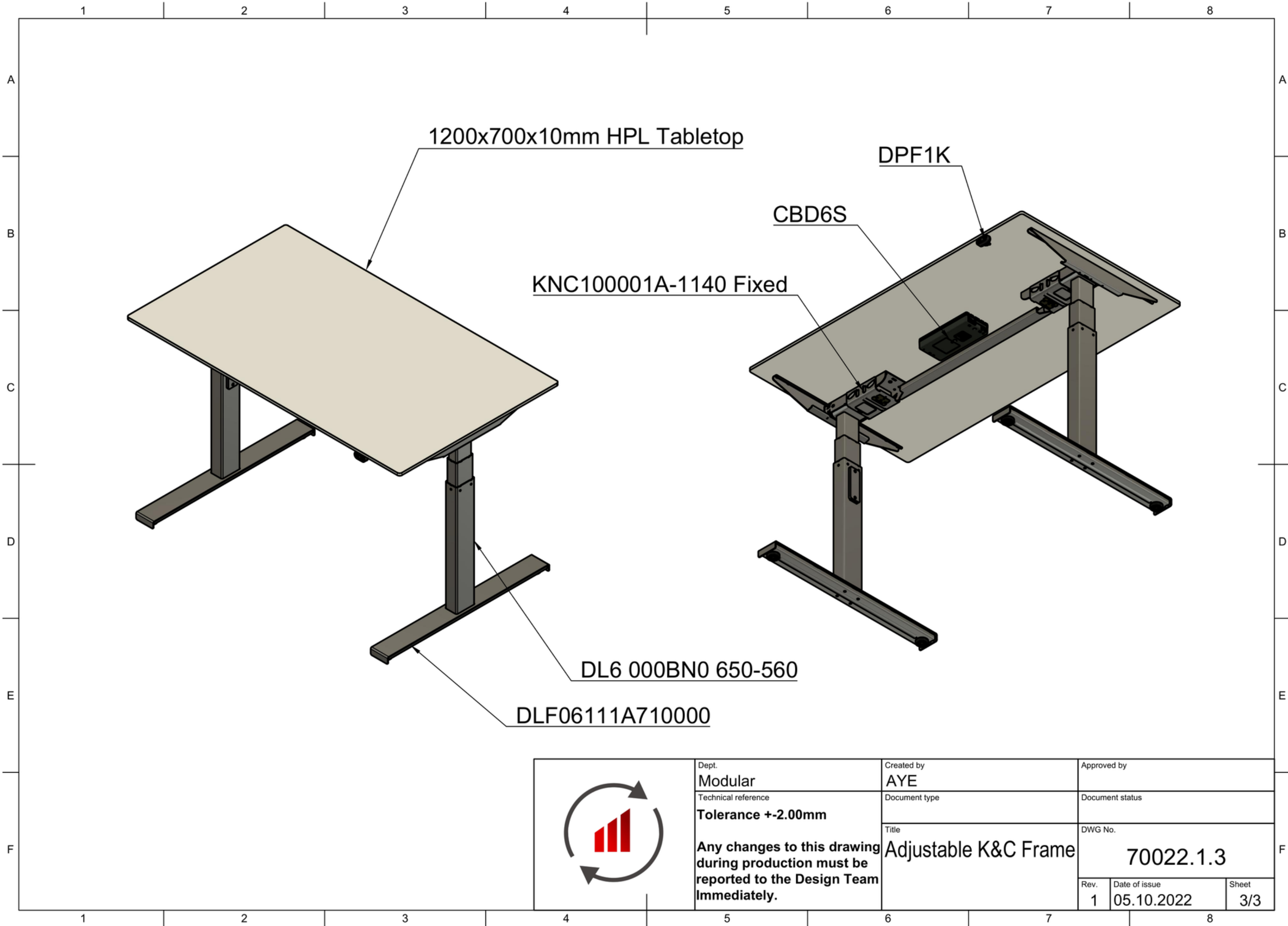
FRONT VIEW


END VIEW

ISOMETRIC VIEW

PLAN VIEW

	Dept. Modular	Created by AYE	Approved by	
	Technical reference Tolerance +/-2.00mm	Document type	Document status	
	Any changes to this drawing during production must be reported to the Design Team Immediately.	Title Adjustable K&C Frame	DWG No. 70022.1.3	
		Rev. 1	Date of issue 05.10.2022	Sheet 2/3



	Dept. Modular	Created by AYE	Approved by	
	Technical reference Tolerance +/-2.00mm	Document type	Document status	
	Any changes to this drawing during production must be reported to the Design Team Immediately.	Title Adjustable K&C Frame	DWG No. 70022.1.3	
		Rev. 1	Date of issue 05.10.2022	Sheet 3/3